

Heavy Duty Relay

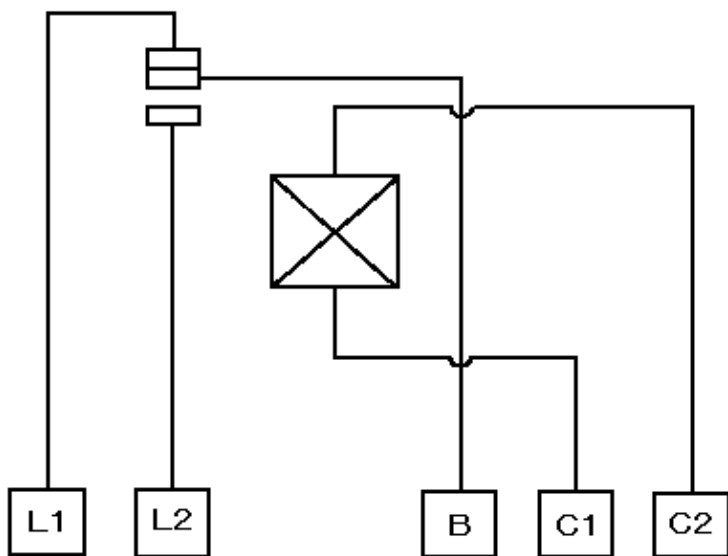
F. D No. SR05A-12, SR05A-24 (Change Over Type)

Specification

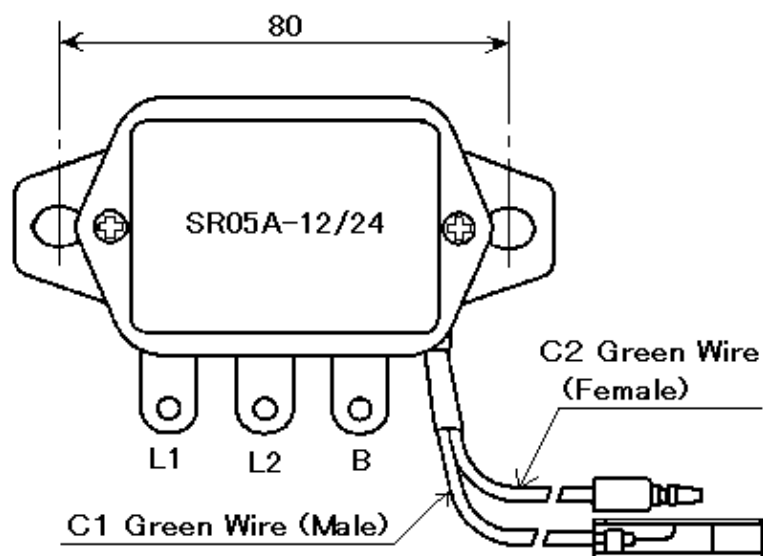
| Type | F. D N o. | Rated Voltage | Specification |
|--|--------------|------------------|--|
| Change Over Type 3 Terminals + 2 lead Wires | SR05A-1 2 | DC12V | 12V Max. Rated Current Break 20 A, Make 40A |
| | SR05A-2 4 | DC24V | 24V Max. Rated Current Break 15 A, Make 30A |



SR05A Wiring Diagram



SR05A Terminal Arrangement



SR05A Terminal Connection

- B Terminal To Battery through Fuse
- L1 Terminal (Break) To Load
- L2 Terminal (Make) To Load
- C1 (Green Plug) Wire To Switch
- C2 (Green Plug Receptacle) Wire To Ground

SR05A-12/24 Example of Use

- ① Merit of this relay is deigned to obtain strong suction force of coil and big contact pressure and contact gap due to adoption of large size contact points. And since maximum current capacity of this relay is large , use range possible is very wide.
- ② Making use of merit above mentioned , this relay is used much for inductive load.
- ③ Definite example of use of this relay is for oil pressure changing Solenoid for construction equipment.

- ④ Other examples of use of this relay are for operation of Clutch of air conditioner ,Head lights , Small size motor , Air compressor , Machine tools and others over many fields.

| ■ SRA Specification | | |
|---|-----------------|-----------------|
| F. D No. | SR05A-12 | SR05A-24 |
| Use Conditions | Continuity | Continuity |
| Type | Change Over | Change Over |
| Rated Voltage | DC12V | DC24V |
| Max. Rated Current | (Make) | 40A |
| | (Break) | 20A |
| Coil Resistance | 43 Ω | 168 Ω |
| Voltage Drop | Less than 0. 2V | Less than 0. 2V |
| Use Temperature Range | -20°C~+80°C | -20°C~+80°C |
| Allowable Rush Current (within 30msec.) | Within 150/300A | Within 120/250A |

[\[HOME\]](#)