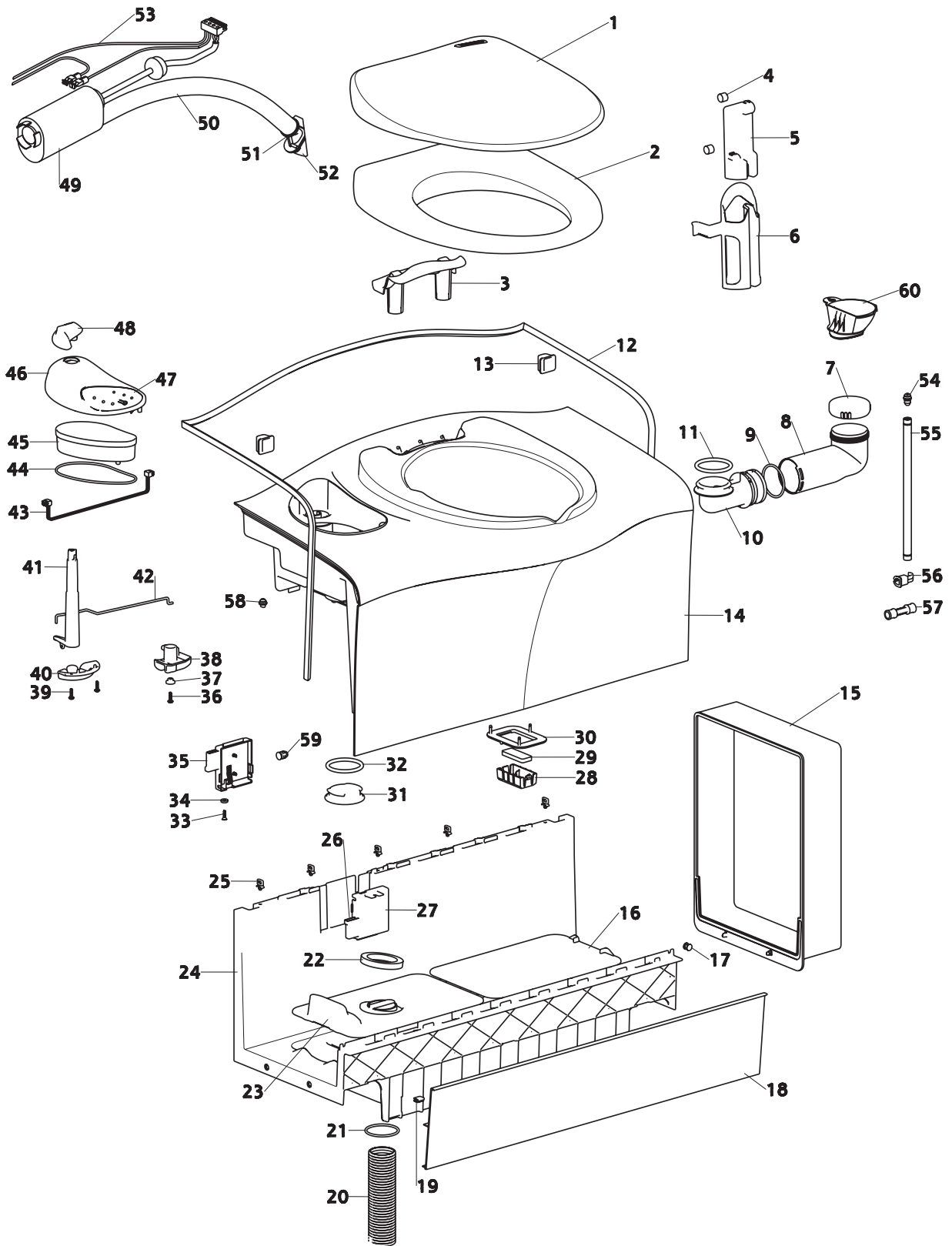


C402 C/X



(LO-029.01)

C-402 C/X (LO-059.00)

| | Single spare part number | Assembly spare part number | Available in colour number |
|--|-----------------------------|-------------------------------|-------------------------------|
| 1. Cover | | | |
| 2. Seat | | 32309 | 62 |
| 3. Pod | | | |
| 4. Magnet | | | |
| 5. Float box for X model/foam | | 32330 | 62 |
| 6. Float box guiding for X model incl. reed switch PCB nr. 35 | | | |
| 7. Cap fill bottle Seal | 16848-16 | | |
| 8. Fill funnel | | 32315 | 06 |
| 9. O-ring | | | |
| 10. Fill funnel elbow | | | |
| 11. O-ring | | | |
| 12. Wall seal | | 32311 | |
| 13. Wall bracket | | | |
| 14. Bench | | | |
| 15. Door interface | | | |
| 16. Storage cover | | | |
| 17. Lock plug * | | | |
| 18. Kicking plate Kicking plate LB | | | |
| 19. Clip | | | |
| 20. Vent hose | | | |
| 21. O-ring | | 32324 | |
| 22. Seal vent plate | | | |

* For toilet produced until May 2004

Cassette

C-402 C/X (LO-060.00)

| | Single spare part number | Assembly spare part number | Available in colour number |
|---|-----------------------------|-------------------------------|-------------------------------|
| 23. Vent plate | | | |
| 24. Base | | | |
| 25. Wire clip | | | |
| <hr/> | | | |
| 26. Fuse | | 21766 | |
| C model | | | |
| 27. Reed switch housing HT Reed switch PCB | | 32316 | 62 |
| X model | | | |
| 27. Reed switch housing HT Reed switch PCB | | 32317 | 62 |
| <hr/> | | | |
| 28. Magnet basket | | | |
| 29. Magnet | | | |
| 30. Retaining plate | | | |
| 31. Plug fill bottle | | | |
| 32. O-ring | | | |
| 33. Screw | | | |
| 34. Washer | | | |
| <hr/> | | | |
| X model | | | |
| 35. Reed switch housing WT Reed switch PCB incl. float box nr. 4-5-6 | | 32330 | 62 |
| <hr/> | | | |
| 36. Screw | | | |
| 37. Bushing | | | |
| 38. Saddle | | | |
| 39. Screw | | | |
| 40. Bracket | | | |
| 41. Shaft | | | |
| 42. Link | | | |

C-402 C/X (LO-061.01)

| | Single spare part number | Assembly spare part number | Available in colour number |
|----------------------------------|-----------------------------|-------------------------------|-------------------------------|
| 43. Wire harness | | 32319 | |
| 44. O-ring | | | |
| 45. Control well | | | |
| C model | | | |
| 46. Control panel Control PCB | | 32320 | 62 |
| 47. Overlay | | | |
| 47. Overlay | | 32321 | |
| X model | | | |
| 46. Control panel Control PCB | | 32322 | 62 |
| 47. Overlay | | | |
| 47. Overlay | | 32323 | |
| 48. Handle | | | |
| 49. Pump | | 16374 | |
| 50. Flush tube | | | |
| 51. O-ring | | | |
| 52. Nozzle | | | |
| 53. Wire harness main power | | | |
| 54. Drain connector * | | | |
| 55. Sight glass * | | | |
| 56. Clamp * | | | |
| 57. Drain tube * | | | |
| 58. Plug sight tube hole * | | | |
| 59. Blind plug * | | | |
| 60. Waterfill extension | | 32329 | 16 |

* For toilets produced after October 2005